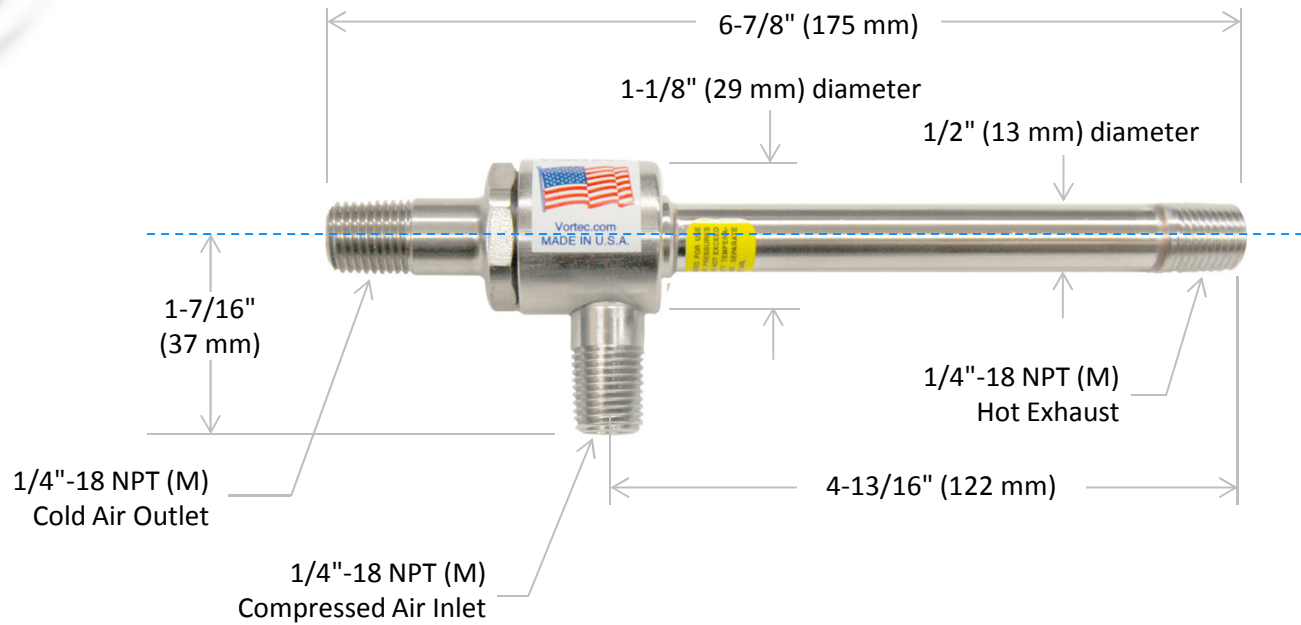




Vortex Tube

Model 208SS



SPECIFICATIONS								
Product	Cooling Capacity		Air Consumption		Inlet Size	Outlet Size	Weight	
	BTU/hr	Watts	SCFM	SLPM			lbs	kg
208-11-HSS	640	188	11	311	1/4 inch NPT (M)	1/4 inch NPT (M)	0.4	0.18
208-15-HSS	900	264	15	425	1/4 inch NPT (M)	1/4 inch NPT (M)	0.4	0.18
208-25-HSS	1500	440	25	708	1/4 inch NPT (M)	1/4 inch NPT (M)	0.4	0.18

Note: Specifications are for 100 psig (6.9 bar) compressed air.



An ITW Company
10125 Carver Road
Cincinnati, OH 45242

1-800-441-7475
sales@vortec.com
www.vortec.com