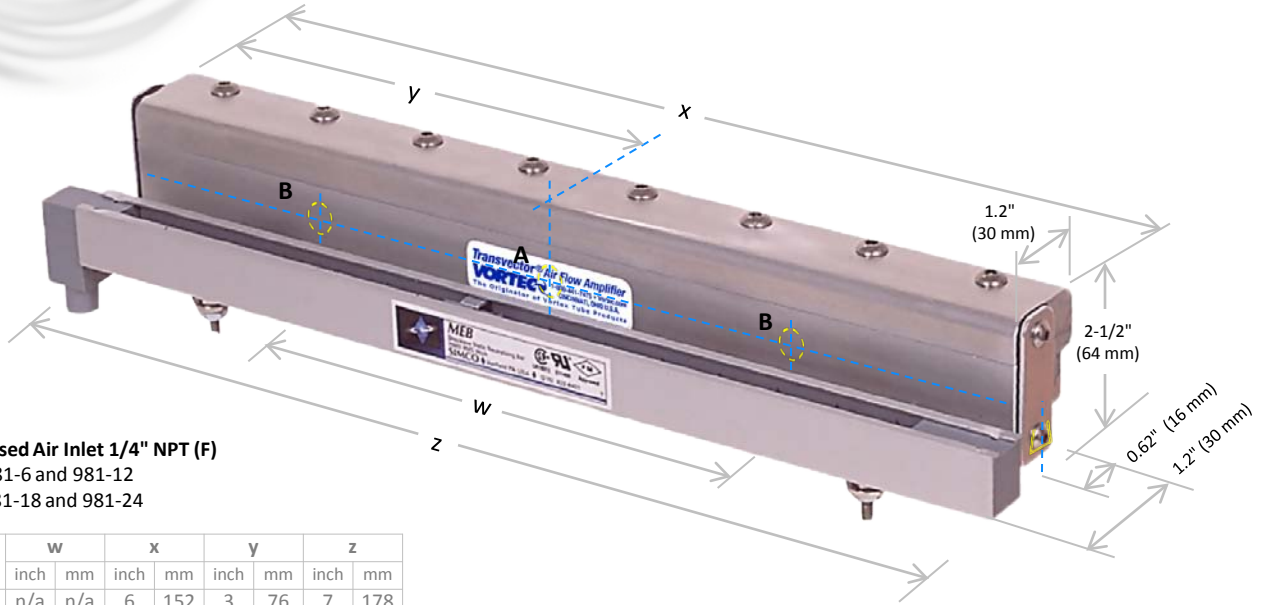


# Ionizing Air Knife

Models 981-6, 981-12, 981-18, 981-24



Compressed Air Inlet 1/4" NPT (F)

A - For 981-6 and 981-12  
B - For 981-18 and 981-24

Product	w		x		y		z	
	inch	mm	inch	mm	inch	mm	inch	mm
981-6	n/a	n/a	6	152	3	76	7	178
981-12	n/a	n/a	12	305	6	152	13	330
981-18	9	229	18	457	n/a	n/a	19	483
981-24	12	305	24	610	n/a	n/a	25	635

## SPECIFICATIONS

Pressure (PSIG)	Air Consumption (SCFM) (Transvector Length)					Velocity, ft/min, at distance from outlet			Thrust* per in (oz.)
	3"	6"	12"	18"	24"	2"	6"	12"	
60	10	20	40	60	80	17,000	9,900	6,700	2.8
70	12	23	46	69	92	17,800	10,600	7,600	3.4
80	13	26	52	78	104	18,600	12,200	8,400	3.9
90	14	29	57	86	114	19,400	13,200	9,200	4.4
100	16	32	64	95	127	20,200	14,200	10,000	4.9

\*At 12" from Curtain Transvector outlet

Pressure (Bar)	Air Consumption (SLPM) (Transvector Length)					Velocity, m/s, at distance from outlet			Thrust* per cm (g)
	7.6 cm	15 cm	31 cm	46 cm	61 cm	5 cm	15 cm	31 cm	
4.1	284	569	1138	1707	2275	86	50	34	31
4.8	325	651	1302	1953	2604	90	54	39	38
5.5	368	736	1472	2207	2943	94	62	43	44
6.2	404	807	1613	2420	3226	99	67	47	49
6.9	450	900	1800	2700	3600	103	72	51	55

\*At 30 cm. from Curtain Transvector outlet



An ITW Company  
10125 Carver Road  
Cincinnati, OH 45242

1-800-441-7475  
sales@vortec.com  
www.vortec.com